


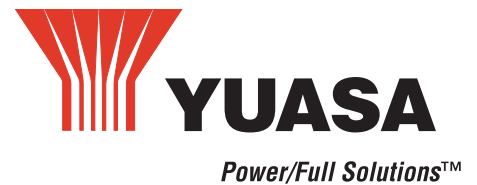
REVISION			
REV.	DESCRIPTION	DATE	APPROVED
-	RELEASED TO RECORDS	2/18/99	RLK
A	REVISED PER CD323 - ADD GS	5/03/99	RLK
B	REVISED PER CD517 -ADD ABS	12/10/01	RLK

Part No.	Yuasa (EnerSys) Part No.	ABS Part No.
01	NP0.8-12	12V0.8W3

- 1) BATTERY MUST HAVE DATE CODE.
- 2) DATE CODE CANNOT BE OLDER THAN 6 MONTHS WHEN RECEIVED IN INCOMING INSPECTION.

<p><b>Note:</b> Vendor part numbers do not reflect production packaging. Packaging is left to the discretion of purchasing and/or Contract Manufacturer to optimize with insertion equipment.</p>			647 North Lakeview Pkwy. Vernon Hills, IL 60061 847-247-9400	
	APPROVED BY: <b>D.A.T.</b>	DES. ENG. _____	DRAWN BY: <b>G. EHRlich</b>	
		MFG. _____		
		MECH. DESIGN _____	DRAWING NUMBER: <b>73000900</b>	
TITLE: <b>BATTERY, RECHARGEABLE 12V 0.8AH</b>				
DATE: 12/10/01			SHT. 1 OF 3	

ACROBAT 4 DOCUMENT

**Independence™****SEALED RECHARGEABLE LEAD-ACID****B A T T E R I E S**

# NP0.8-12

# NP0.8-12FR

## 12V, 0.8Ah

### Specifications

**NOMINAL VOLTAGE:** 12V

**NOMINAL CAPACITY:**

20 hr. rate of 40 ma to 10.50V 0.80Ah

10 hr. rate of 74 ma to 10.50V 0.74Ah

5 hr. rate of 136 ma to 10.20V 0.68Ah

1 hr. rate of 480 ma to 9.60V 0.48Ah

**WEIGHT (approx.):** 0.77 pounds (0.35 kgs.)

**ENERGY DENSITY (20 hr. rate):**

1.10 WH/cubic inch (65 WH/liter)

**SPECIFIC ENERGY (20 hr. rate):**

12.5 WH/pound (27 WH/kg)

**INTERNAL RESISTANCE OF CHARGE:**

180 milliohms (approx.)

**MAXIMUM DISCHARGE CURRENT**

**WITH STANDARD TERMINALS:**

3 amperes

**MAXIMUM SHORT-DURATION**

**DISCHARGE CURRENT:**

50 amperes

**OPERATING TEMPERATURE RANGE:**

**CHARGE** 5°F to 122°F

(-15°C to 50°C)

**DISCHARGE** -4°F to 140°F

(-20°C to 60°C)

**CHARGE RETENTION (shelf life) at 68°F (20°C):**

**1 month** 97%

**3 months** 91%

**6 months** 85%

**LIFE EXPECTANCY:**

**STANDBY USE** 3 to 5 years

**CYCLE USE (approx.)**

**100% depth of discharge** 250 cycles

**50% depth of discharge** 550 cycles

**30% depth of discharge** 1200 cycles

**SEALED CONSTRUCTION:**

Can be operated in any position without leakage.

**STANDARD TERMINAL:**

JST #VHR-2N

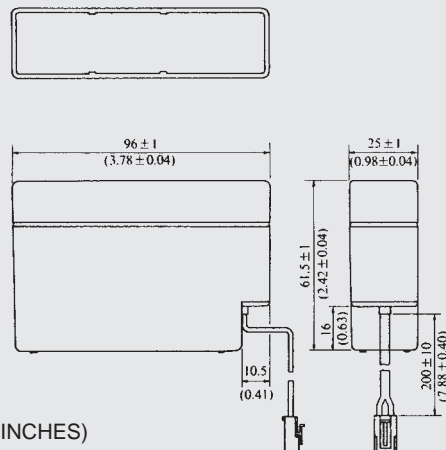
**HOUSING MATERIAL:**

ABS Resin

**OPTIONAL:** Container and cover made from Flame

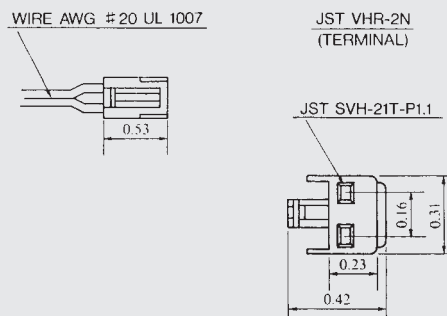
Retardant ABS (UL94-V2/L.O.I.>28%)

### DIMENSIONS



DIMENSIONS: MM (INCHES)

### TERMINAL

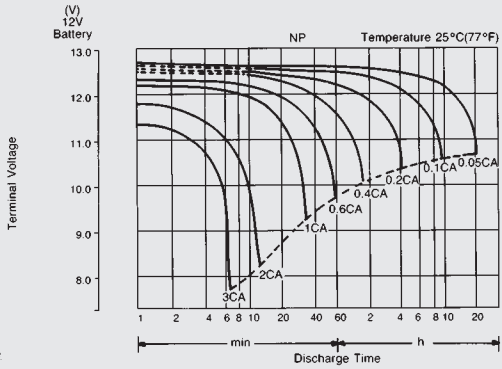


DIMENSIONS: (INCHES)

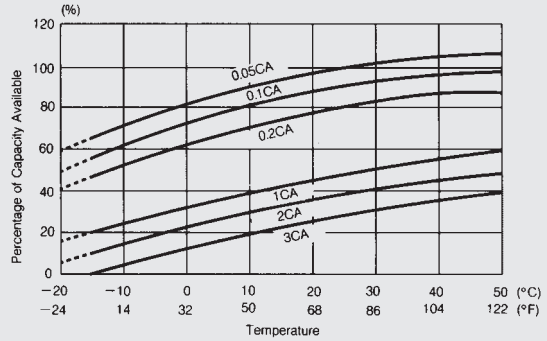


RECOGNIZED BY UL, File No. MH 12970

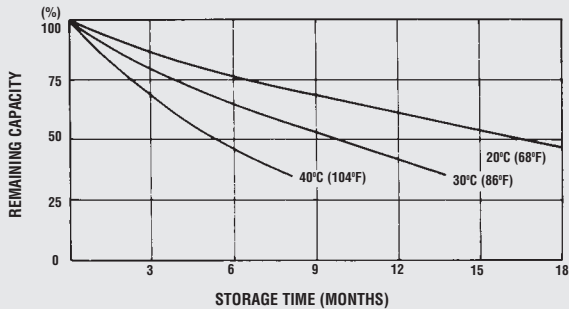
### DISCHARGE CHARACTERISTIC CURVES



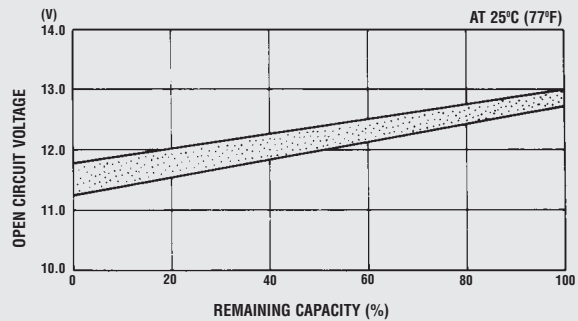
### TEMPERATURE EFFECTS IN RELATION TO BATTERY CAPACITY



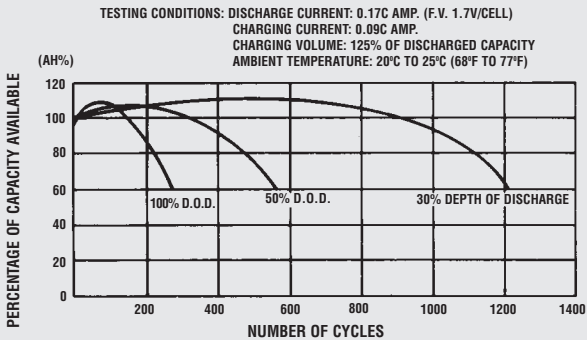
### SELF DISCHARGE CHARACTERISTIC



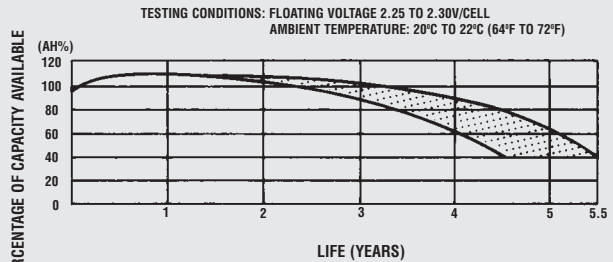
### OPEN CURCUIT VOLTAGE VS REMAINING CAPACITY



### CYCLE SERVICE LIFE IN RELATION TO DEPTH OF DISCHARGE



### FLOAT SERVICE LIFE



When the battery will be used by the current in excess of 3C, consult with Yuasa, Inc. prior to use.

#### CHARGING METHODS (At 20°C)

#### Cycle use:

Maximum charging current 0.2A

Charging voltage 14.4 to 15.0V

#### Standby use:

Float charging voltage 13.50 to 13.80V

#### CAUTION

- Avoid short circuit
- Do not charge in a sealed container.

Represented by:

When ordering new batteries, also remember to properly recycle your old lead batteries. Federal and state regulations require lead-acid batteries be recycled. Yuasa's nationwide service organization can arrange pickup, transportation to and recycling at any one of our company affiliated smelters. Call 1-800-972-7372 for more information.



Power/Full Solutions™

#### Sales Offices

Eastern Region: 201-964-0118 • 1-800-962-1287  
FAX 201-964-0720

Western Region: 562-949-4266 • 1-800-423-4667  
FAX 562-949-5527

Corporate Office: P.O. Box 14145, Reading, PA 19612-4145  
FAX 610-372-8613

Visit us on the web at: [www.yuasastationary.com](http://www.yuasastationary.com)

Please check our website for literature updates